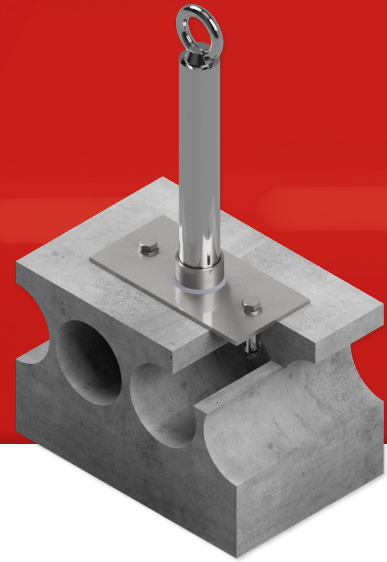


Primo 2 SP-HO ES

Anchor point for prestressed concrete hollow ceilings



DIN EN
795

Technical specifications	
Material	stainless steel (V2A)
Pipe diameter	Ø 40 mm
Base plate	100 x 200 x 5 mm
Number of users	max. 3 persons
Concrete strength	min. C45 / 55
Web thickness	min. 27,5 mm
Edge distance	min. 300 mm
Drill hole diameter	Ø 16 mm
Drill hole depth	65 mm
Hollow ceiling anchor (4 pcs.)	FHY M10 R

Version	Art.-Nr.	Height	Roof structure
Primo 2 SP-HO ES/30	128301	300 mm	0 - 100 mm
Primo 2 SP-HO ES/40	128401	400 mm	0 - 200 mm
Primo 2 SP-HO ES/50	128501	500 mm	0 - 300 mm
Primo 2 SP-HO ES/60	128601	600 mm	0 - 400 mm
Primo 2 SP-HO ES/70	128701	700 mm	0 - 500 mm
Primo 2 SP-HO ES/80	128801	800 mm	100 - 600 mm
Primo 2 SP-HO ES/90	128901	900 mm	200 - 700 mm
Primo 2 SP-HO ES/100	128101	1000 mm	300 - 800 mm